

Check Valve



WSC-01P

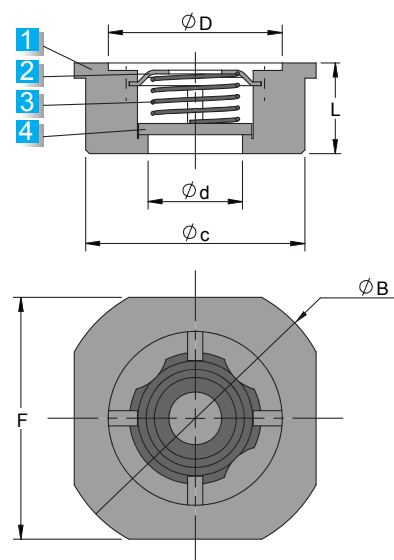
Single Plant Wafer Check Valve PN10-40

FEATURES:

- Investment Casting Body
- Flange Standard: PN10/25/40 ANSI #150/#300
- Viton Sealing And Metal Sealing Available
- Material: CF8M/CF8/SS316/SS304/1.4408/1.4301
- Maximum Working Temperature: 400 °C



NO.	PART NAME	MATERIAL	
1	Body	CF8M	CF8
2	Stop Cap	SS316	SS304
3	Spring	SS304	
4	Disc	CF8M	CF8



Size	1/2"	3/4"	1"	1-1/4"	1-1/2"	2"	2-1/2"	3"	4"	6"
L	16	19	22	28	32	40	46	50	60	106
ϕd	15	20	25	32	40	50	62	77	95	138
ϕc	43	53	57	74	82	91	112	126	150	217
ϕD	34	42	46	62	71	80	100	112	135	196
F	45	55	65	79	89	100	118	135	155	
ϕB	53	63	73	84	94	106	127	144	164	220

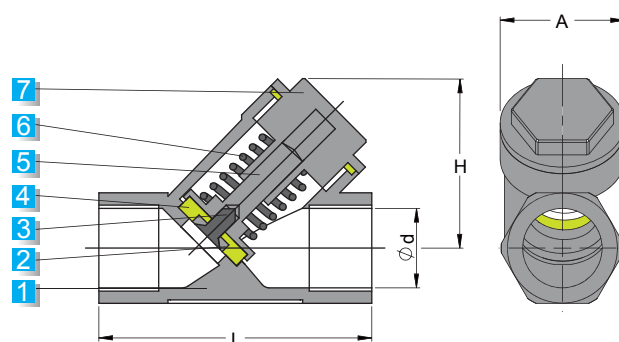
WSC-S02

Y-Type Spring Check Valve Class 200

FEATURES:

- Investment Casting Body
- Swing Type
- Viton Sealing And Metal Sealing Available
- Material: CF8M/CF8/SS316/SS304/1.4408/1.4301
- Maximum Working Temperature: 400 °C

NO.	PART NAME	MATERIAL	
1	Body	CF8M	CF8
2	Washer	SUS304	
3	Screw	GB-T68	
4	Disc	PTFE	Metal Seal
5	Plate	SUS316	SUS304
6	Spring	SUS304	
7	Cap	CF8M	CF8



Size	1/2"	3/4"	1"	1-1/4"	1-1/2"	2"
L	65	75	90	110	120	140
ϕd	15	20	25	32	40	50
H	42	49	58	65	74	85
A	31	33	36	52	59	70

