

Ball Valve



WB-A01F

2-PC Stainless Steel Ball Valve (ISO Mounting Pad)
Full Port, Flange Ends, 150LBS

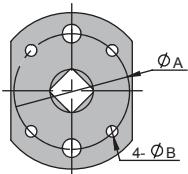
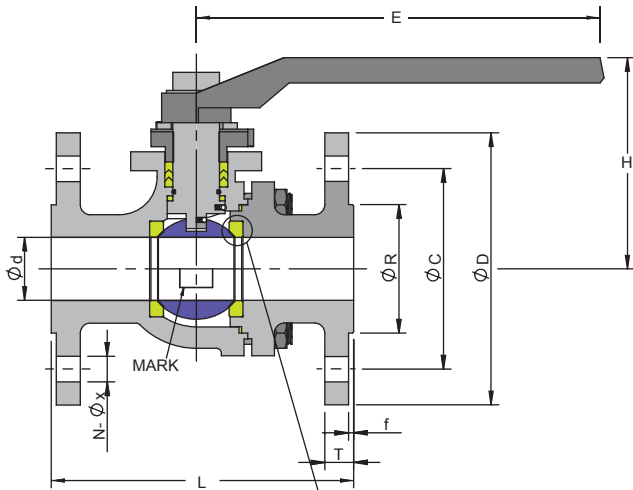
FEATURES:

- Blow-out Proof Stem
- Anti-Static Device for Ball-Stem-Body
- Pressure Balance Hole in Ball Slot
- ISO 5211 Mounting Pad for Easy Automation
- Fire Safe Design Available

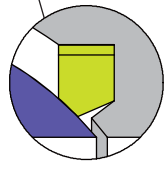
STANDARD:

- Design: ASME 16.34 API 608
- Wall Thickness: ASME B16.34, EN12516-3
- Flange Ends: ASME 16.5
- **Fire Safe** Design Acc: API 607
- Inspection & Testing: API 598, EN 12266
- Face to Face ACC: ASME 16.34
- Inspection and Testing: API 598, API 6D

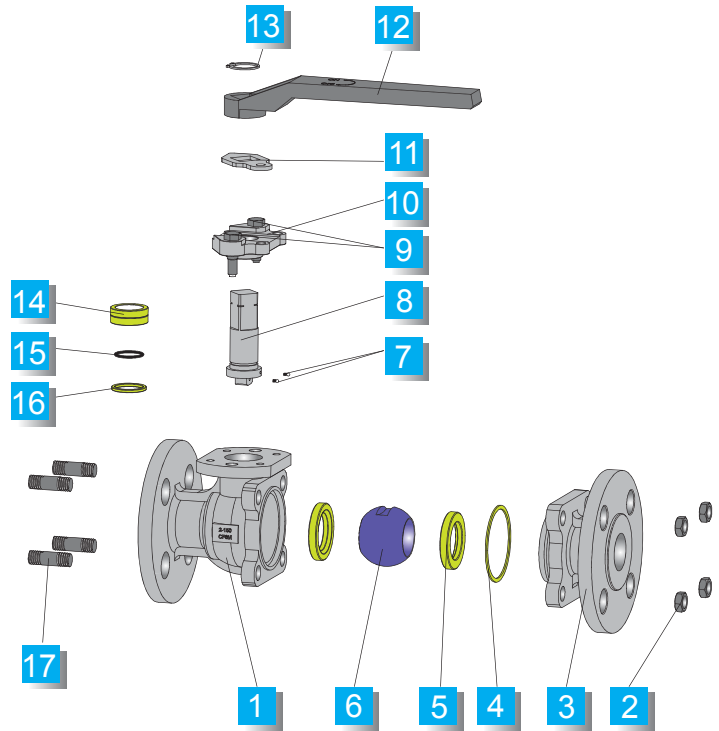
NO.	PARTS NAME	MATERIAL		
1	Body	CF8M	CF8	WCB
2	Nut	SS304		
3	Cap	CF8M	CF8	WCB
4	Cap Gasket	PTFE		
5	Ball Seat	PTFE	R-PTFE	
6	Ball	CF8M	CF8	
7	Anti-Static Device	SS304		
8	Stem	SS304	SS316	
9	Bolt	SS304		
10	Stop Gland	CF8M	CF8	
11	Locking Device	SS304		
12	Handle	CF8		
13	Position Washer	SS304		
14	Stem Packing	PTFE	R-PTFE	
15	O-Ring	VITON		
16	Thrust Washer	PTFE		
17	Bolt	SS304		



ISO-5211 Mounting Pad



Fire Safe Design



Unit:mm

Size	L	ød	øR	øC	øD	H	E	T	N	øx	øA	øB	ISO 5211
1/2"	108	15	35	60.5	89	88	180	11.2	4	16	42	M5	F04
3/4"	117	20	43	70.0	98	88	180	11.2	4	16	42	M5	F04
1"	127	25	51	79.5	108	100	180	12	4	16	42	M5	F04
1-1/4"	140	32	64	89.0	117	100	190	12.7	4	16	50	M6	F05
1-1/2"	165	38	73	98.5	127	105	200	14.3	4	16	70	M8	F07
2"	178	50	92	120.5	152	115	200	15.9	4	19	70	M8	F07
2-1/2"	190	65	105	139.5	178	160	200	17.5	4	19	70	M8	F07
3"	203	79	127	152.5	190	165	300	19.1	4	19	102	M10	F10
4"	229	100	157	190.5	229	180	340	23.9	8	19	102	M10	F10
5"	356	125	186	216.0	254	265	400	23.9	8	22	125	M12	F12
6"	394	150	216	241.5	279	280	500	25.4	8	22	125	M12	F12
8"	457	197	270	298.5	343	340	800	28.6	8	22	125	M12	F12
10"	533	250	324	362.0	406	385	800	30.2	12	25	140	M16	F14
12"	610	300	381	432.0	483	GEAR	-	31.8	12	25	140	M16	F14